

- SAW Duplexer For 831 MHz / 876 MHz
- Revision 0: February 2011

Electrical Characteristics

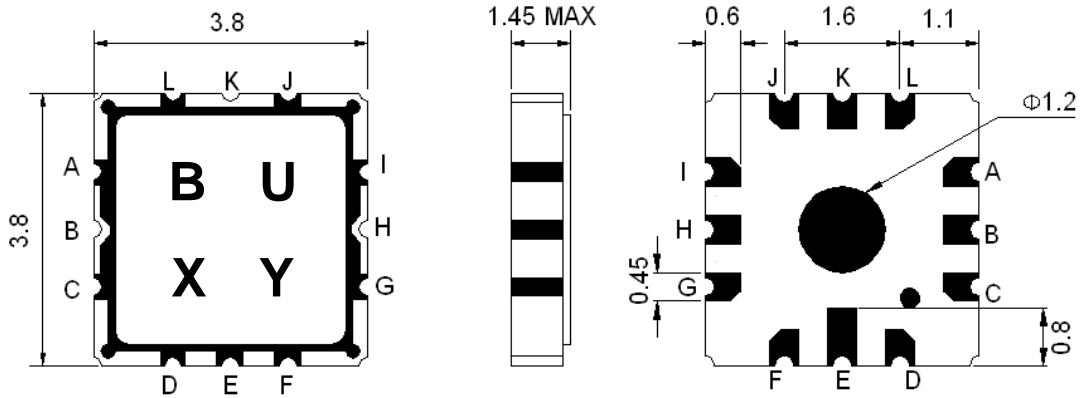
MAXIMUM RATING				
PARAMETERS DESCRIPTION	UNIT	MINIMUM	TYPICAL	MAXIMUM
Operation Temperature Range	°C	-5	-	+70
Storage Temperature Range	°C	-40	-	+85
Maximum DC Voltage	V	-	0	-
Maximum DC Voltage	W	1.2 W > 50,000 Hours, CW tone(Ta= +50°C)		
Input Impedance	Ω	-	50	-
Output Impedance	Ω	-	50	-
Package type	P3			
Length x Width	mm ²	-	3.8 x 3.8	-
Height	mm	-	-	1.45

ELECTRICAL SPECIFICATION					
PARAMETERS	CONDITION [MHZ]	UNIT	MINIMUM	TYPICAL	MAXIMUM
Tx → Ant		Specifications			
Insertion Loss	824.0 ~ 839.0	dB	-	2.1	3.0
Ripple	824.0 ~ 839.0	dB	-	0.6	1.0
VSWR	824.0 ~ 839.0	-	-	1.7	2.2
Absolute Attenuation	854.0	dB	25	45	-
	869.0 ~ 884.0	dB	45	50	-
Ant → Rx		Specifications			
Insertion Loss	869.0 ~ 884.0	dB	-	2.8	3.5
Ripple	869.0 ~ 884.0	dB	-	1.7	2.0
VSWR	869.0 ~ 884.0	-	-	2.4	2.8
Absolute Attenuation	824.0 ~ 839.0	dB	45	55	-
	854.0	dB	25	45	-
Tx → Rx		Specifications			
Isolation	824.0 ~ 839.0	dB	45	55	-
	869.0 ~ 884.0	dB	45	50	-

Notes : (1) With Matching Network

Package Dimensions

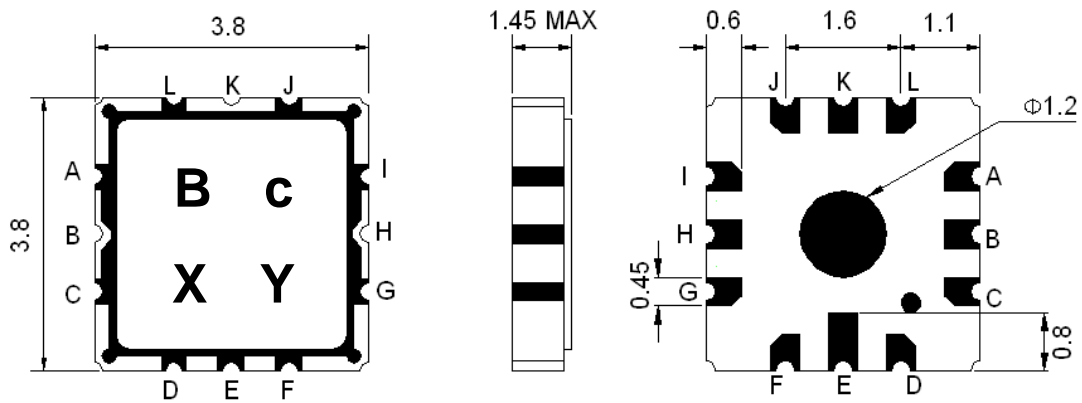
Marking Type 1



Marking Descriptions	
B	CDMA800 Application
U	Series Number
X	Date Code (Year)
Y	Date Code (Month)

Pin Description	
A, C, D, E, F, G, I, J, L	Ground
K	Ant Port
B	Rx Port (876.5MHz)
H	Tx Port (831.5MHz)

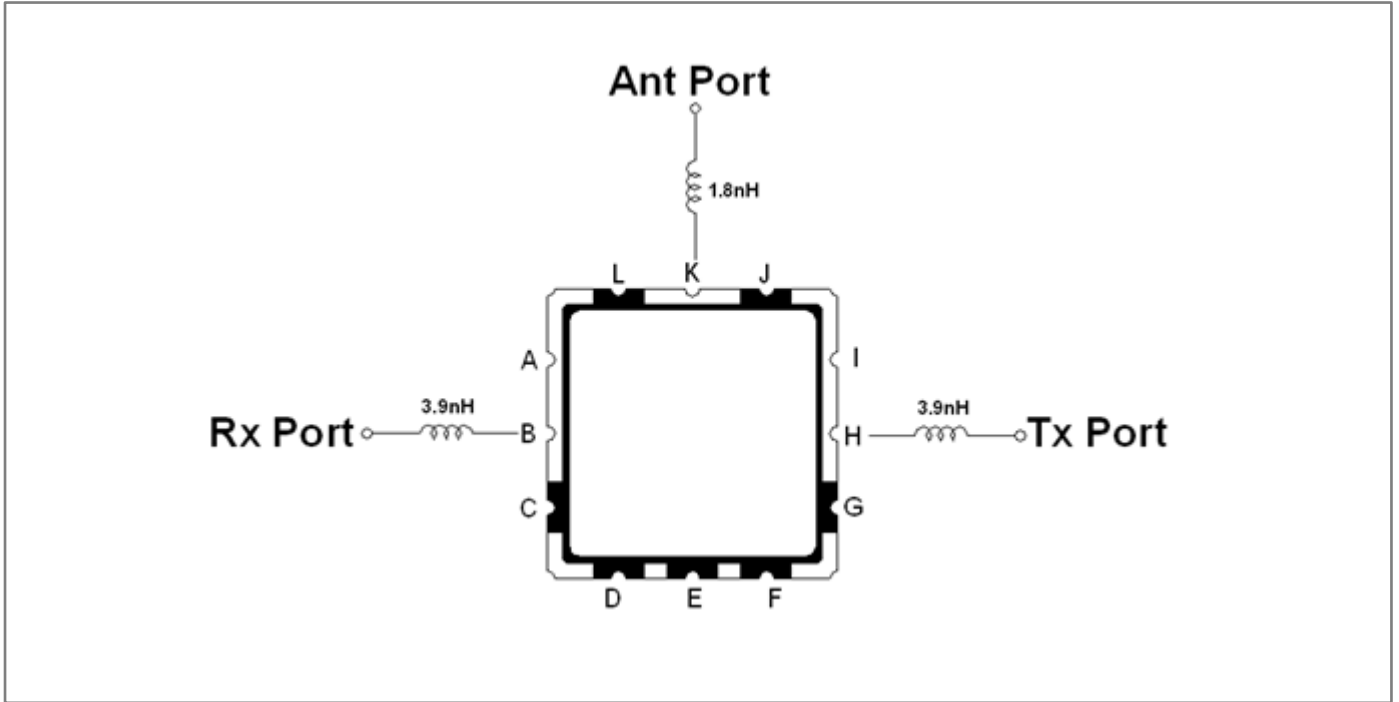
Marking Type 2



Marking Descriptions	
B	CDMA800 Application
c	Series Number
X	Date Code (Year)
Y	Date Code (Month)

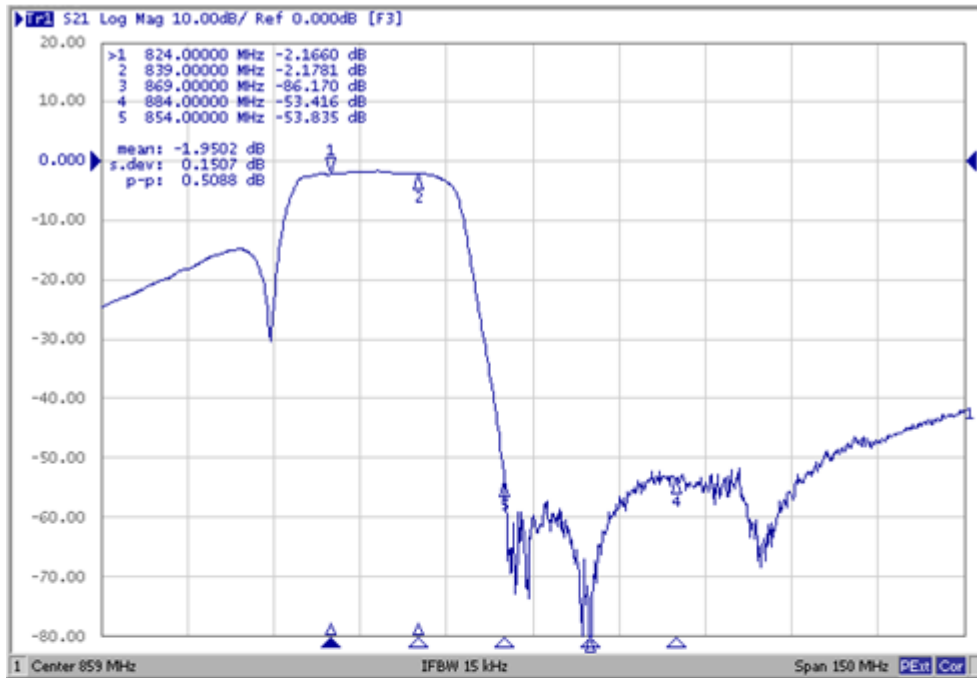
Pin Description	
A, C, D, E, F, G, I, J, L	Ground
K	Ant Port
B	Rx Port (876.5MHz)
H	Tx Port (831.5MHz)

Testing Environment

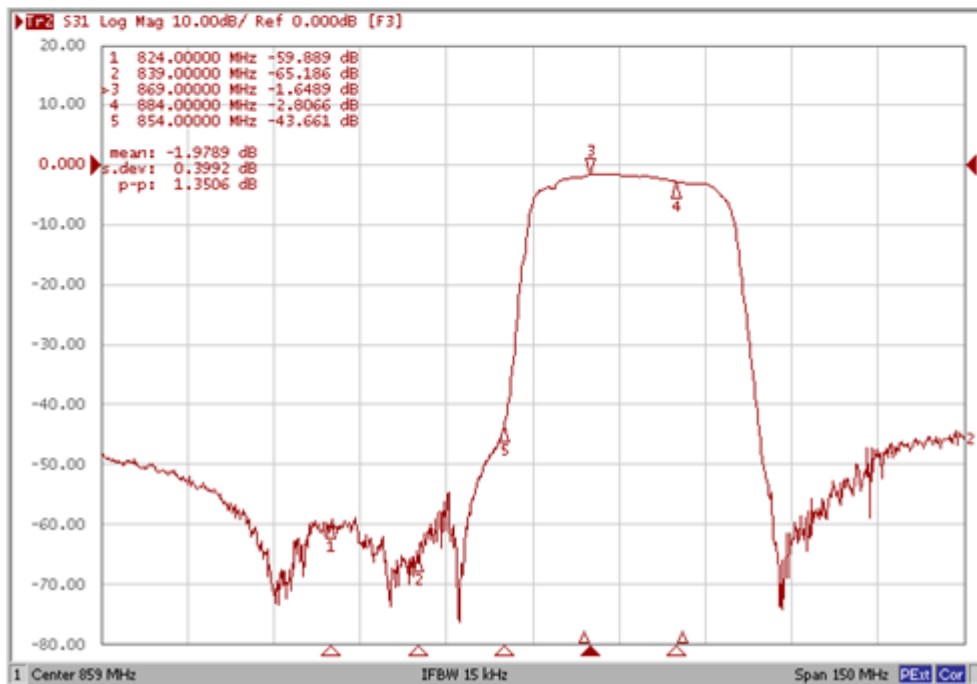


Frequency Characteristics

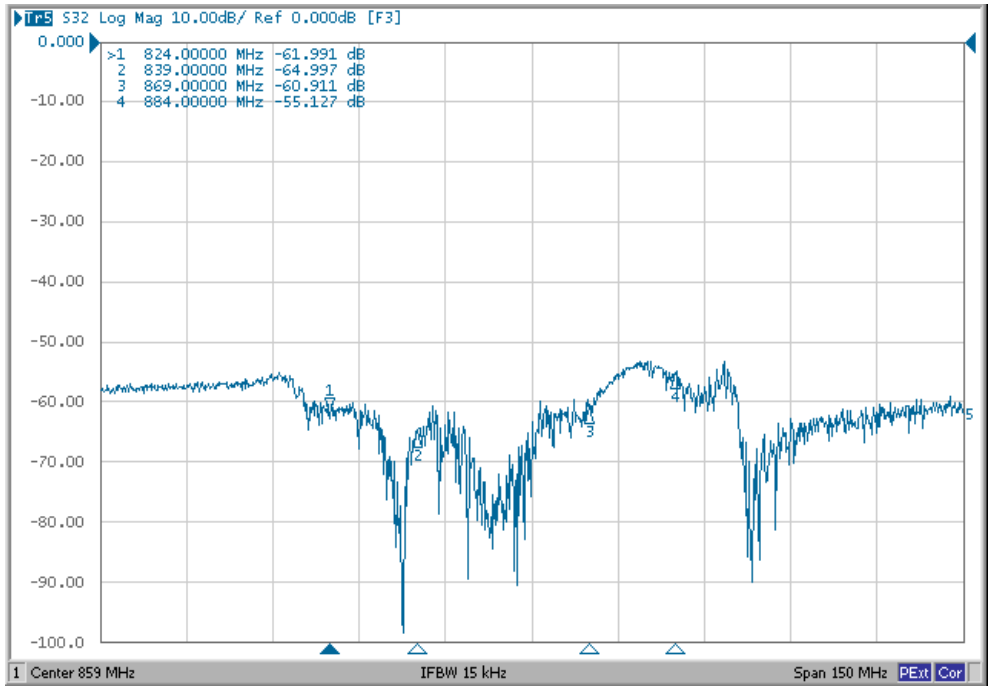
Tx to Ant



Ant to Rx

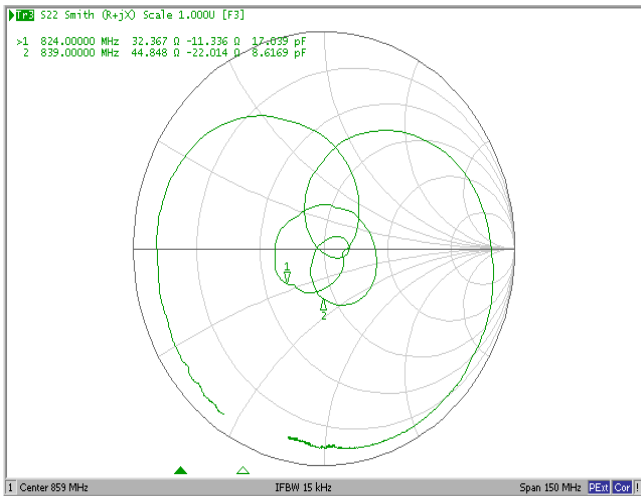


Isolation

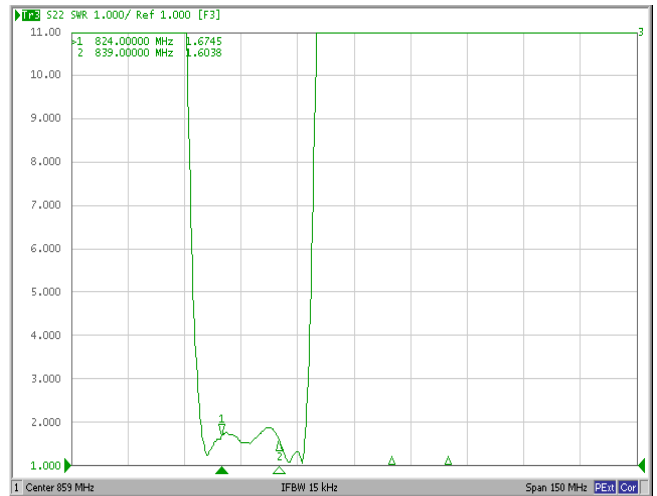


Tx Port

Smith Chart

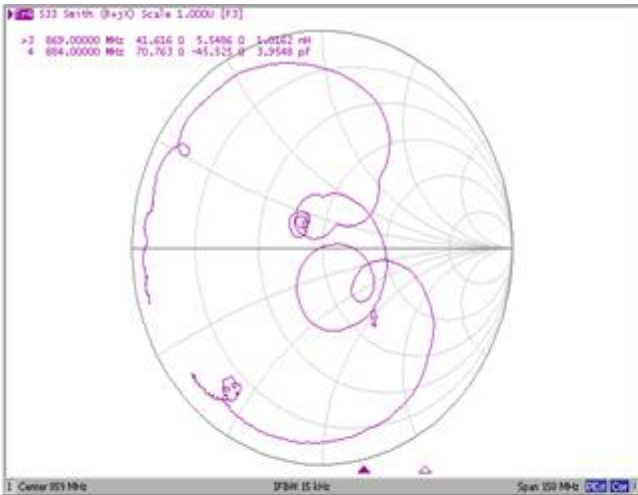


VSWR



Rx Port

Smith Chart

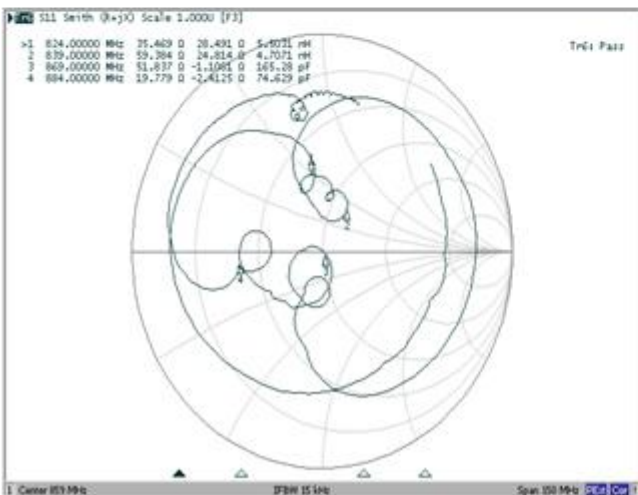


VSWR



Ant Port

Smith Chart



VSWR

